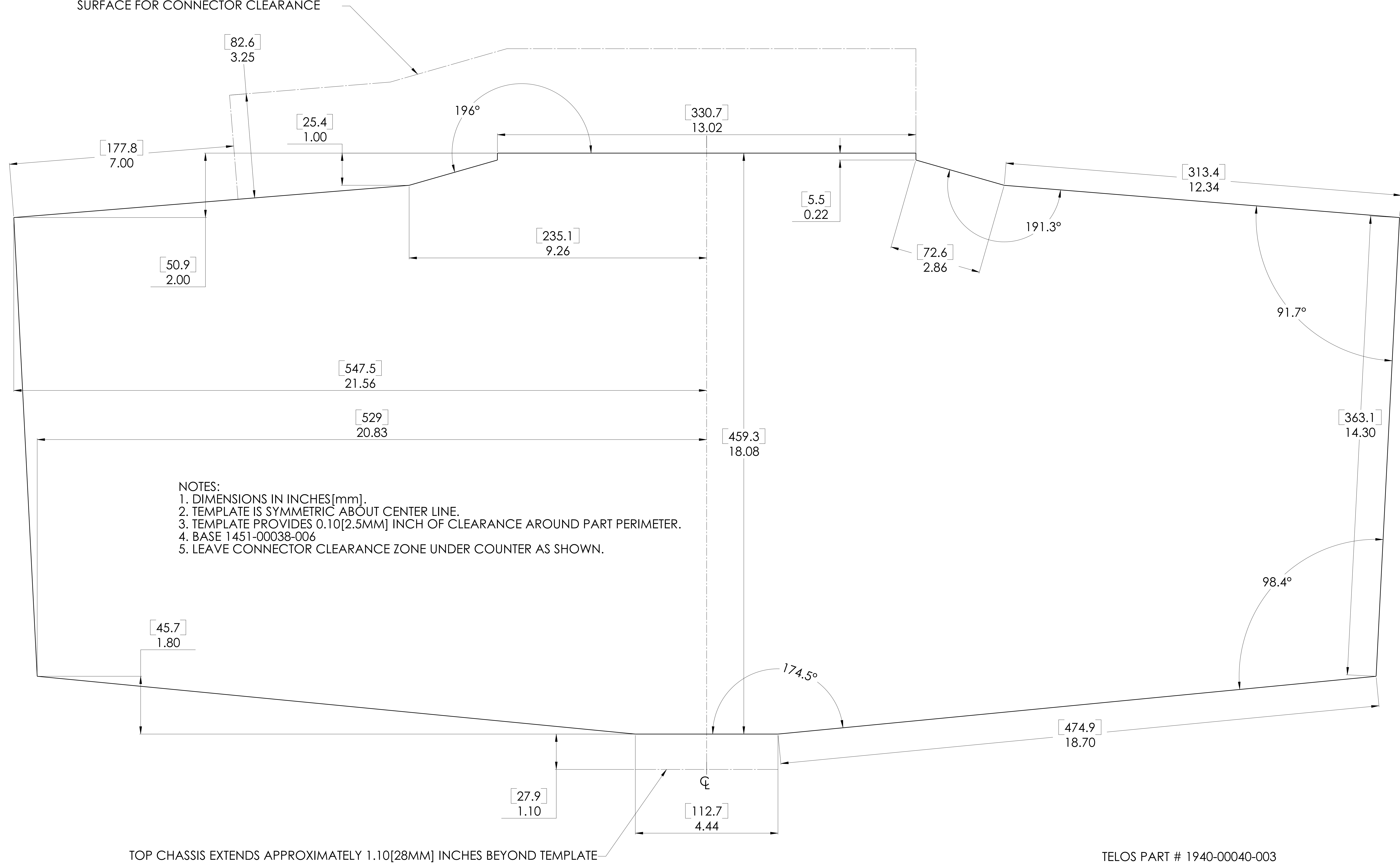


CONNECTOR CLEARANCE ZONE:  
3.25[82.5MM] INCH PERIMETER UNDER COUNTER  
SURFACE FOR CONNECTOR CLEARANCE

SMARTSURFACE TABLE TOP TEMPLATE



- NOTES:
- 1. DIMENSIONS IN INCHES[mm].
  - 2. TEMPLATE IS SYMMETRIC ABOUT CENTER LINE.
  - 3. TEMPLATE PROVIDES 0.10[2.5MM] INCH OF CLEARANCE AROUND PART PERIMETER.
  - 4. BASE 1451-00038-006
  - 5. LEAVE CONNECTOR CLEARANCE ZONE UNDER COUNTER AS SHOWN.

TOP CHASSIS EXTENDS APPROXIMATELY 1.10[28MM] INCHES BEYOND TEMPLATE

TELOS PART # 1940-00040-003  
REVISION 18AUG05